

# CL17sc Colorimetric Chlorine Analyzer

## Applications

- Drinking Water
- Wastewater
- Food and Beverage
- Pharmaceutical
- Power
- Semiconductor
- Field Use



## The Next Standard in Chlorine Analysis

Built on a legacy of reliability in online chlorine analysis, the advanced design of the CL17sc reduces routine maintenance touch time and provides powerful diagnostic features and enhanced connectivity. The result is less hassle, minimized risk of data loss, and even more reliable information to empower your decision making.

### Maintenance made easy

The CL17sc reduces your routine maintenance touch time with programmable alerts, simplified tubing replacement, and step-by-step maintenance instructions.

### Peace of mind through comprehensive diagnostics

With upgraded features like a flow meter, colorimeter window, multi-color status light, and predictive diagnostic software, you know your instrument is operating as intended.

### Expanded connectivity. Increased flexibility.

By pairing the CL17sc with Hach's SC controller platform, your options increase significantly: internal data logging; external analog and digital communication alternatives; and multi-parameter instrument flexibility.

The CL17sc is compliant with US EPA regulation 40 CFR 141.74. Both Method 4500-CL G and Method 334.0 can be used for measuring residual chlorine in drinking water.

## Technical Data\*

<b>Range</b>	0 - 10 mg/L free or total residual chlorine	<b>Interferences</b>	Other oxidizing agents such as bromide, chlorine dioxide, permanganate, and ozone will cause a positive interference. Hardness must not exceed 1,000 mg/L CaCO <sub>3</sub> .
<b>Accuracy</b>	± 5% or ± 0.04 mg/L (whichever is greater) from 0 - 5 mg/L Cl <sub>2</sub> ± 10% from 5 - 10 mg/L Cl <sub>2</sub>	<b>Reagent Consumption</b>	0.5 L of buffer solution and 0.5 L of indicator solution in 31 days
<b>Lower Limit of Detection (LOD)</b>	0.03 mg/L	<b>Certifications</b>	CE compliant with: EN 61326-1, CISPR 11, EN 50581
<b>Cycle Time</b>	2.5 minutes		ACMA RCM
<b>Inlet Pressure</b>	0.3 - 5.2 bar (4.5 - 75 psig) supplied to Y-strainer  0.1 - 0.3 bar (1.5 - 5 psig) supplied to analyzer		South Korea KC Certificate
<b>Inlet</b>	¼-inch OD polyethylene tube, quick-disconnect fitting		North America: FCC Supplier's Declaration of Conformance, IEC/EN 60529, ICES-003
<b>Drain</b>	½-inch ID flexible hose	<b>Light Source</b>	LED, measurement at 510 nm, 1 cm light pathlength
<b>Air Purge</b>	Optional with 3/8-inch quick-connect fitting and tubing; 0.003 m <sup>3</sup> /min at 1.38 bar (20 psig) maximum	<b>Enclosure Rating</b>	IP66 per IEC 60529
<b>Sample Requirements</b>	Y-strainer filtration with 40-mesh screen or higher	<b>Mounting</b>	Wall mount
<b>Sample Flow Rate</b>	60 - 200 mL/min through the instrument	<b>Power Requirements (Voltage)</b>	12 VDC, 400 mA maximum (supplied by the controller)
<b>Sample Temperature</b>	5 - 40 °C (41 - 104 °F)	<b>Dimensions (H x W x D)</b>	342 mm x 329 mm x 177 mm
<b>Operating Temperature Range</b>	5 - 40 °C (41 - 104 °F)	<b>Weight</b>	4.1 kg (9.0 lbs.)
<b>Operating Humidity</b>	0 - 90% relative humidity, non-condensing		

*\*Subject to change without notice.*

## Principle of Operation

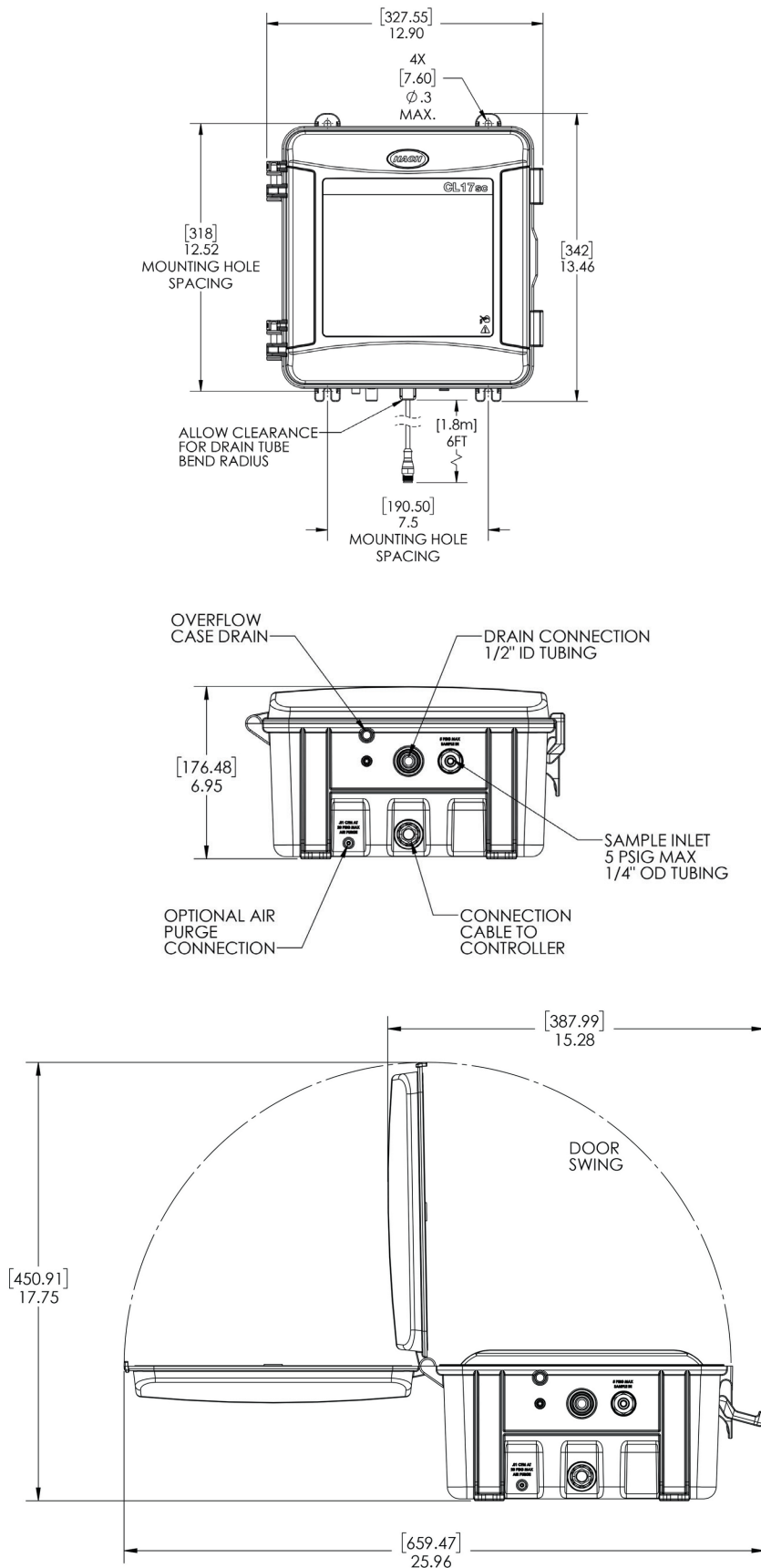
The CL17sc Colorimetric Chlorine Analyzer has three operating components:

- A linear peristaltic pump to precisely control the volume of incoming samples and reagents
- A colorimeter
- Indicator and buffer solutions

A zero reference point is established at the beginning of the cycle by measuring blank absorbance. (This compensates for the sample's color intensity and turbidity before the chlorine measurement is made.) Indicator and buffer solutions are then added to the sample while a magnetic stirrer mixes the solution and the sample changes color. A colorimeter then measures the light transmitted through the sample. The measured color intensity is compared to a reference standard. Finally, the sample cell is flushed with new sample so that the cycle can repeat every 2.5 minutes.

### Dimensions

The CL17sc is designed to be wall-mounted with four ¼-inch screws. Adequate clearance must be left for plumbing and controller connection. The sample inlet connection is a ¼-inch quick-connect fitting and the drain connection is ½-inch ID flexible hose. The analyzer receives power from connection to a Hach SC controller. (The analyzer’s cable is approximately 6.5 ft. in length.)



## Order Information

Hach CL17sc Colorimetric Chlorine Analyzers are shipped with an installation kit, user manual, and one month of reagents where noted. The user selects a standpipe installation kit or a pressure regulator installation kit at the time of purchase. Hach SC controllers are required for operation and are sold separately.

### CL17sc Colorimetric Chlorine Analyzers

<b>8572700</b>	CL17sc Colorimetric Chlorine Analyzer with Standpipe Installation Kit and Reagents for Free Chlorine
<b>8572800</b>	CL17sc Colorimetric Chlorine Analyzer with Standpipe Installation Kit and Reagents for Total Chlorine
<b>8572900</b>	CL17sc Colorimetric Chlorine Analyzer with Pressure Regulator Installation Kit and Reagents for Free Chlorine
<b>8573000</b>	CL17sc Colorimetric Chlorine Analyzer with Pressure Regulator Installation Kit and Reagents for Total Chlorine
<b>8572300</b>	CL17sc Colorimetric Chlorine Analyzer with Standpipe Installation Kit, w/o Reagents
<b>8572400</b>	CL17sc Colorimetric Chlorine Analyzer with Pressure Regulator Installation Kit, w/o Reagents

### Accessories

<b>8568200</b>	CL17sc Calibration Verification Kit
<b>8573200</b>	CL17sc Calibration Verification Refill Kit
<b>8560500</b>	CL17sc Standpipe Installation Kit
<b>8565700</b>	CL17sc Pressure Regulator Installation Kit

### Reagents and Consumables

<b>8560400</b>	CL17sc Tubing Kit (pre-assembled)
<b>8573100</b>	CL17sc Cell Cleaning Kit
<b>2556900</b>	Set includes: CL17 DPD Indicator, CL17 Free Chlorine Indicator Solution, and CL17 Free Chlorine Buffer Solution.
<b>2557000</b>	Set includes: CL17 DPD Indicator, CL17 Total Chlorine Indicator Solution, and CL17 Total Chlorine Buffer Solution.



This instrument connects to Claros, Hach's innovative Water Intelligence System. Claros allows you to seamlessly connect and manage instruments, data, and process – anywhere, anytime. The result is greater confidence in your data and improved efficiencies in your operations. To unlock the full potential of Claros, insist on Claros Enabled instruments.



With Hach Service, you have a global partner who understands your needs and cares about delivering timely, high-quality service you can trust. Our Service Team brings unique expertise to help you maximize instrument uptime, ensure data integrity, maintain operational stability, and reduce compliance risk.

### Hach World Headquarters: Loveland, Colorado USA

United States: 800-227-4224 tel 970-669-2932 fax [orders@hach.com](mailto:orders@hach.com)  
 Outside United States: 970-669-3050 tel 970-461-3939 fax [int@hach.com](mailto:int@hach.com)  
[hach.com](http://hach.com)

Printed in U.S.A.

©Hach Company, 2019. All rights reserved.

*In the interest of improving and updating its equipment, Hach Company reserves the right to alter specifications to equipment at any time.*

